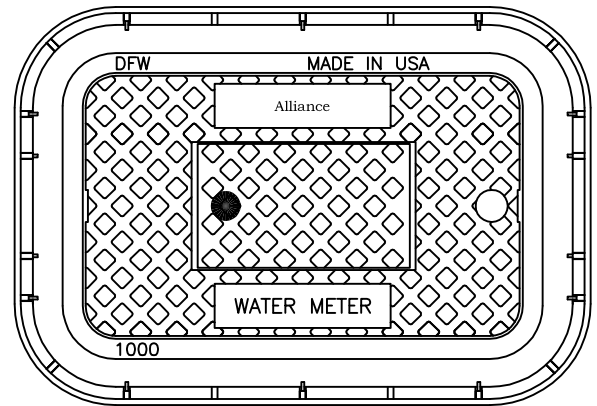
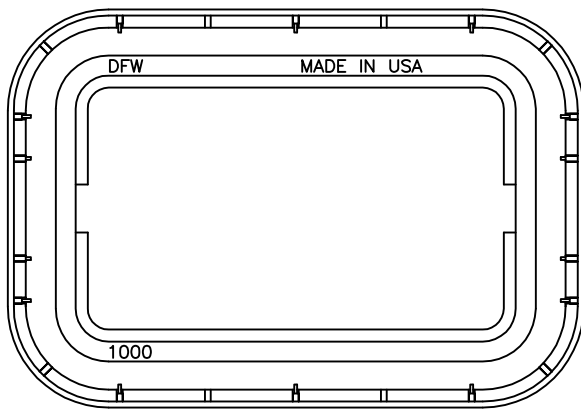
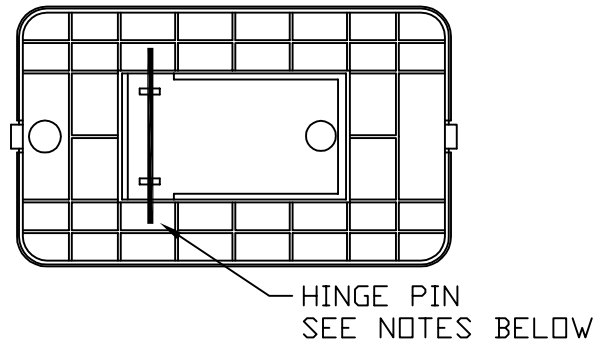
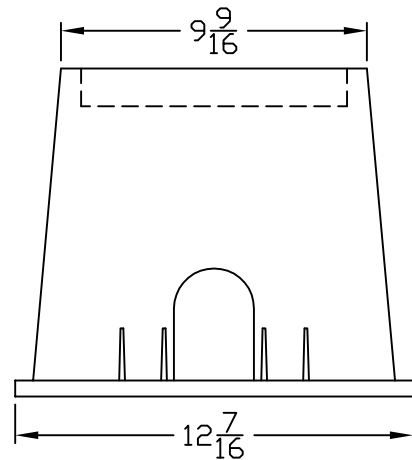
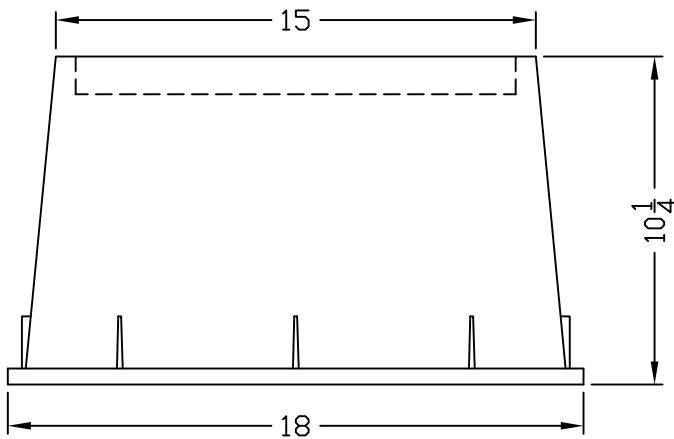


DFW1000.1R.LID



DFW1000.10.1R



DFW1000.10.BODY

NOTES

- 1) DIM'S ± 1/16 U.N.O.
- 2) LOAD RATING: 2500 LBS.
- 3) READER DOOR PIN MATERIAL - ø3/16" x 6" LONG ECO TECH STEEL PIN IMPREGNATED WITH ZINC & ALUMINUM FOR CORROSION RESISTANCE. CHROMIUM FREE.



DFW PLASTICS, INC.
 1001 JARVIS RD
 FORT WORTH, TX. 76179
 (817) 439-3600
 (817) 439-3700 (f)
 www.dfwplasticsinc.com

DFW1000.10.1R

FILE NAME:

*
 *

UPDATED: 09/01/2010

DRAWN BY: J.C.A.

PLOT SCALE: 1:6