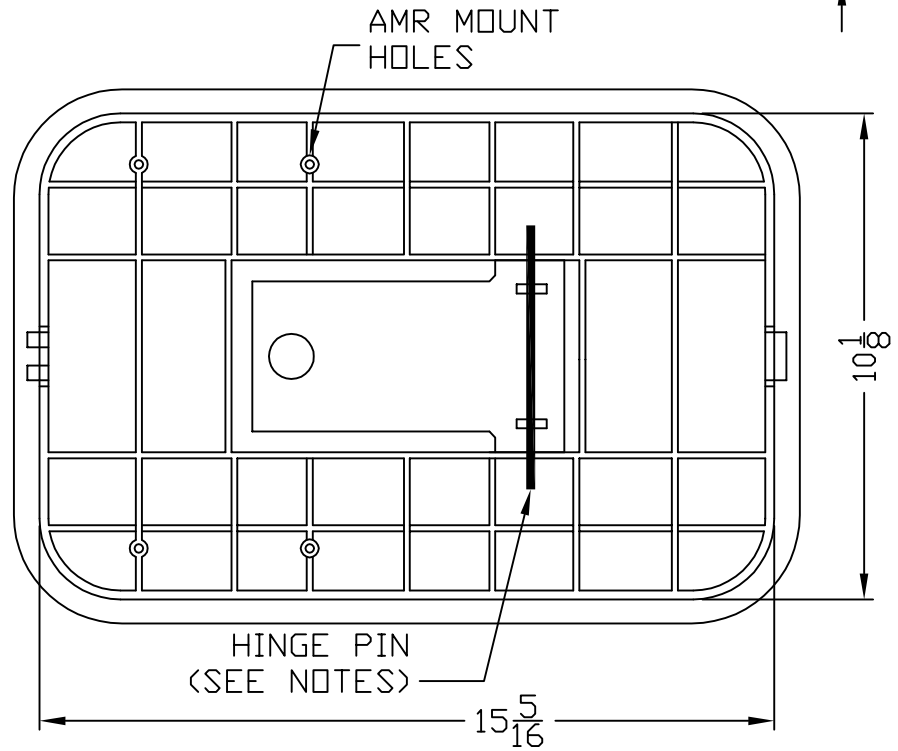
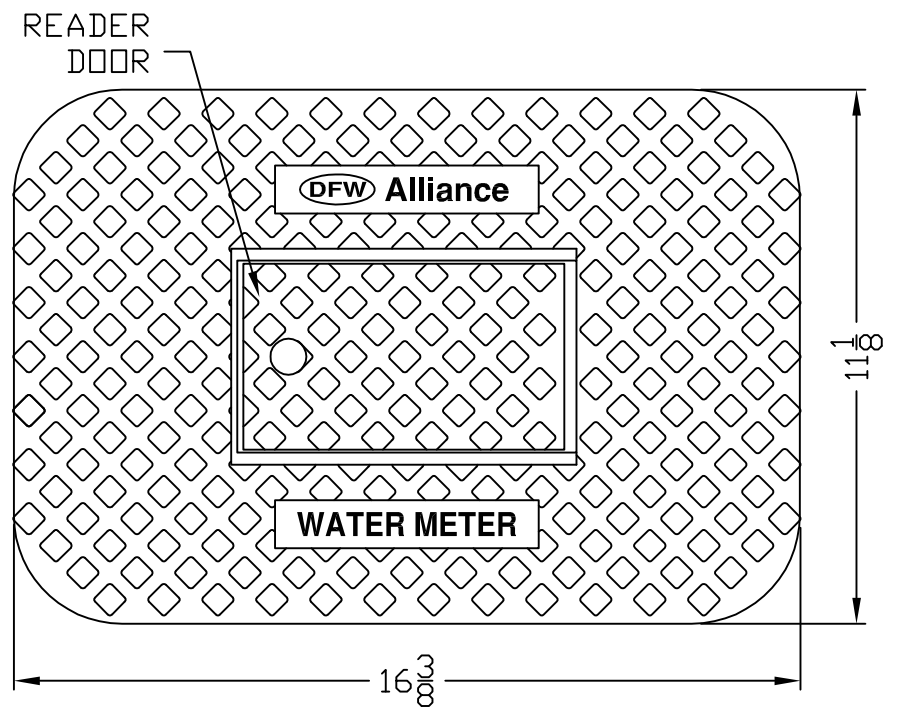


READER DOOR OPENING



- NOTES:**
- 1) DIM'S ± 1/16 U.N.O.
 - 2) Ø3/16" x 6" LONG ECO TECH STEEL PIN IMPREGNATED WITH ZINC & ALUMINUM FOR CORROSION RESISTANCE. CHROMIUM FREE.



DFW PLASTICS, INC.
 1001 JARVIS RD
 FORT WORTH, TX. 76179
 (817) 439-3600
 (817) 439-3700 (f)
 www.dfwplasticsinc.com

DFW1200.1R.LID

FILE NAME: * DFW1200.1.LID.DWG
UPDATED: 09/29/2010
DRAWN BY: J.C.A.
PLOT SCALE: 1:4