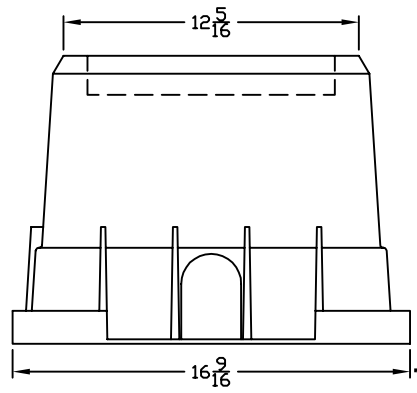
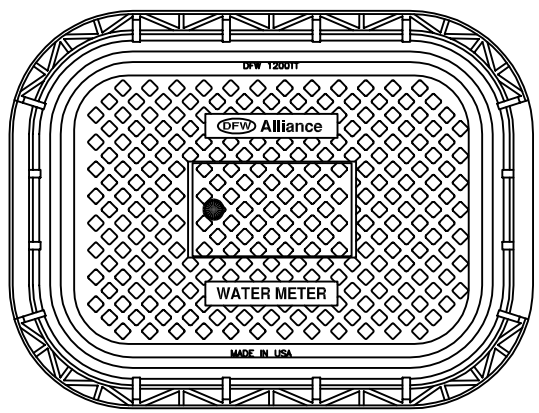
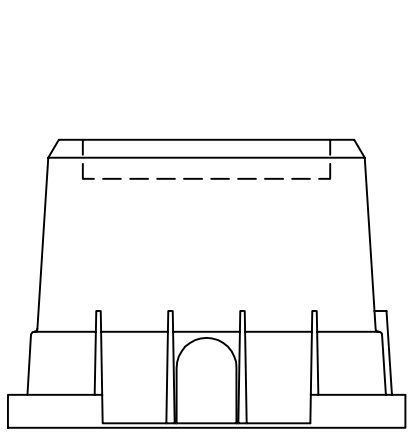


Ø3/16" x 6" LONG  
ECO TECH STEEL PIN  
IMPREGNATED WITH  
ZINC & ALUMINUM  
FOR CORROSION  
RESISTANCE.  
CHROMIUM FREE.

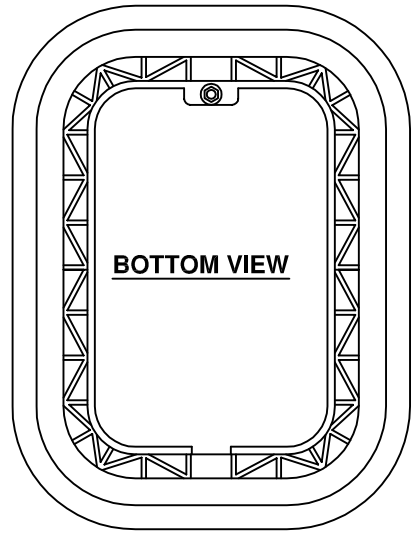
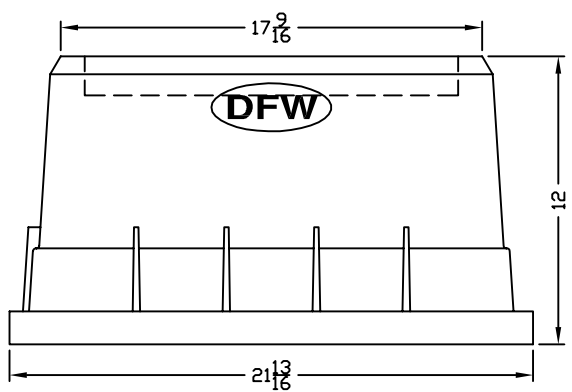
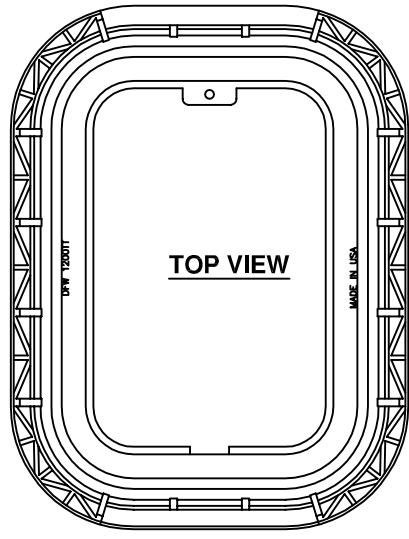
**DFW1200.1R.LID**



LID SITS ON TOP OF BOX



**DFW1200TT.12.1R**



**DFW1200TT.12.BODY**

**NOTES**

1) DIM'S ± 1/16 U.N.O.



DFW PLASTICS, INC.  
1001 JARVIS RD  
FORT WORTH, TX. 76179  
(817) 439-3600  
(817) 439-3700 (f)  
www.dfwplasticsinc.com

DFW1200TT.12.1R

FILE NAME:  
\* DFW1200TT.12.1R.DWG  
UPDATED: 03/11/2010  
DRAWN BY: J.C.A.  
PLOT SCALE: 1:8