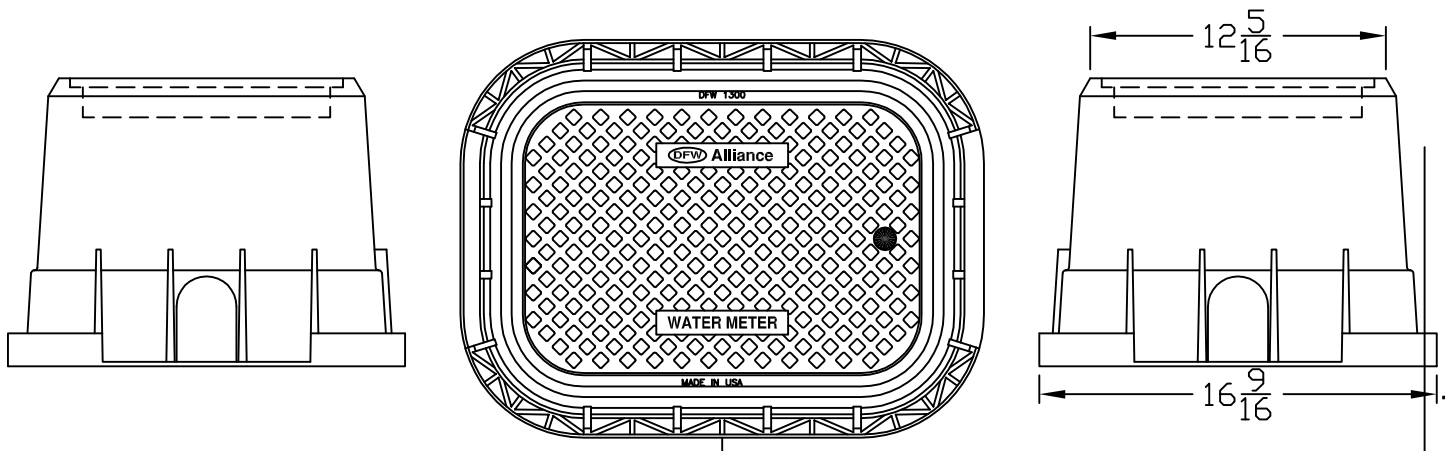
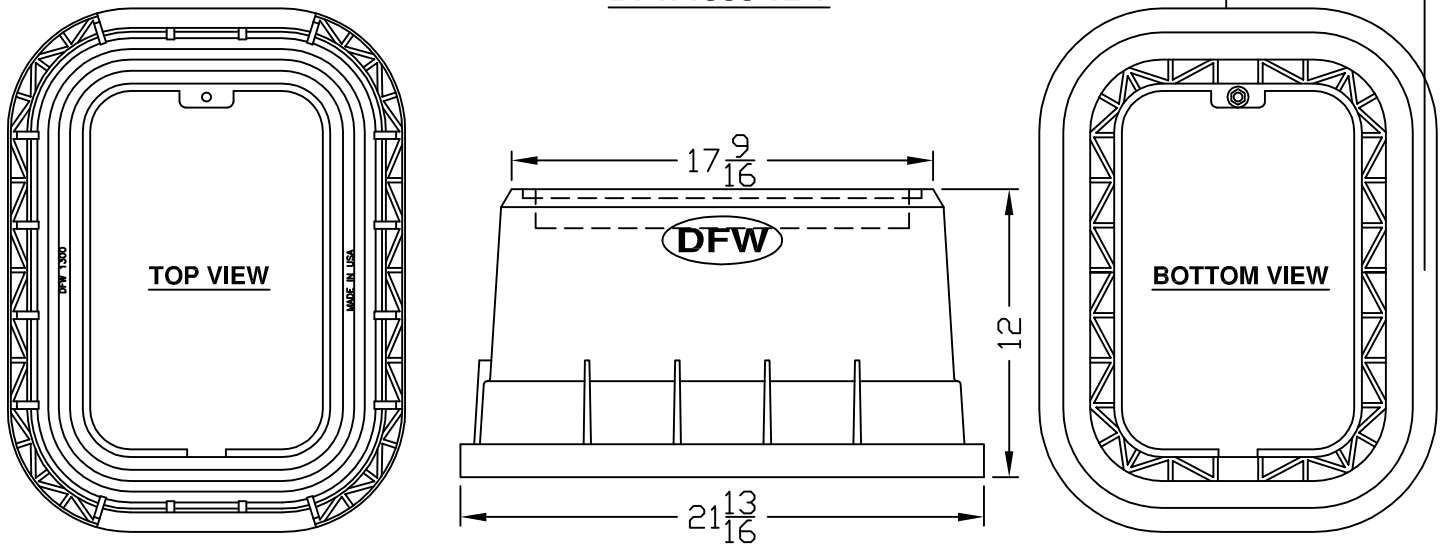


DFW1200.1.LID



DFW1300.12.1



DFW1300.12.BODY

NOTES

1) DIM'S ± 1/16 U.N.O.



DFW PLASTICS, INC.
1001 JARVIS RD
FORT WORTH, TX. 76179
(817) 439-3600
(817) 439-3700 (f)
www.dfwplasticsinc.com

DFW1300.12.1

FILE NAME:
* DFW1300.12.1.DWG

UPDATED: 09/24/2010

DRAWN BY: J.C.A.

PLOT SCALE: 1:8