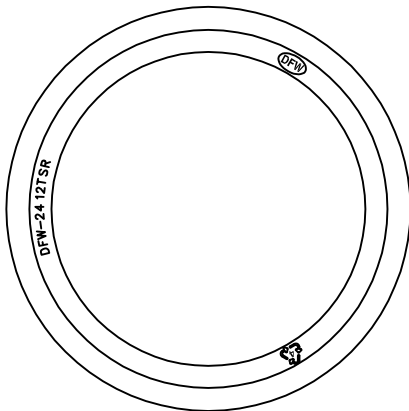
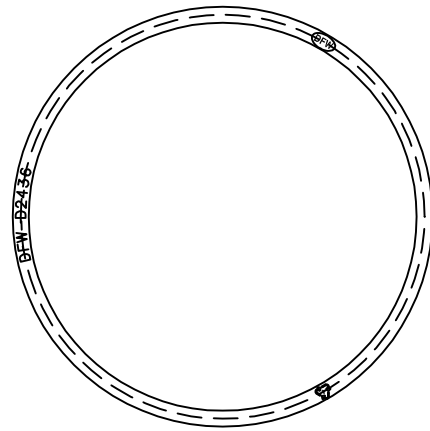
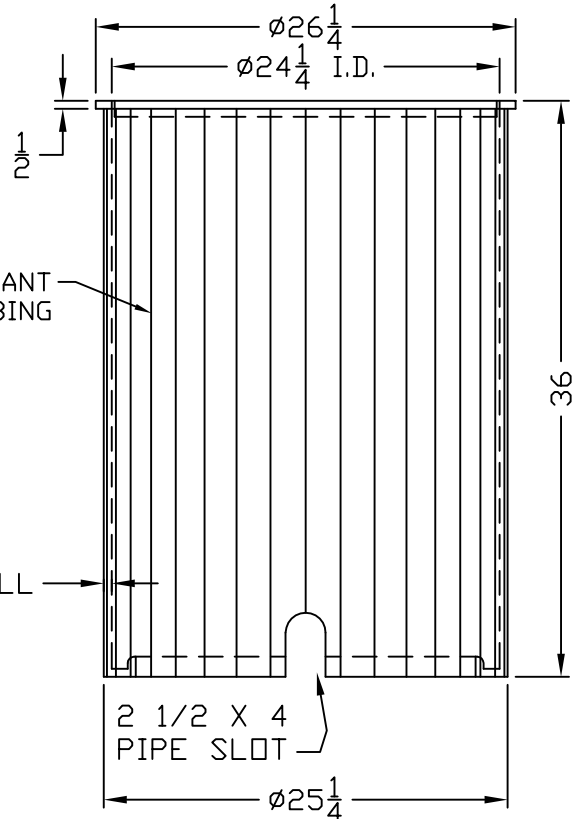


DFW-D242248TPHB

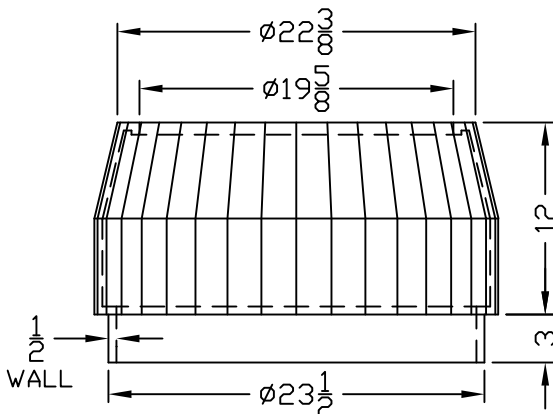
24" ID x 21" ID x 48" DEEP HEAVY BLACK PIT



CRUSH RESISTANT RIBBING



DFW-D2436HB



DFW-D242212TPSRHB

NOTES

- 1) DIM'S ± 1/8 U.N.O.
- 2) WALL THICKNESS: 1/2 ± 5%



DFW PLASTICS, INC.
 1001 JARVIS RD
 FORT WORTH, TX. 76179
 (817) 439-3600
 (817) 439-3700 (f)
 www.dfwplasticsinc.com

DFW-D242248TPHB

FILE NAME:

*
*

UPDATED: 09/17/2010

DRAWN BY: J.C.A.

PLOT SCALE: 1:12