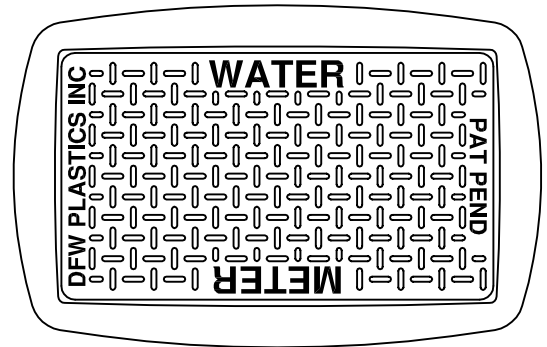
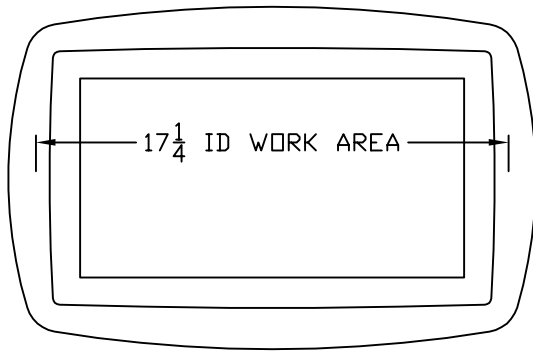
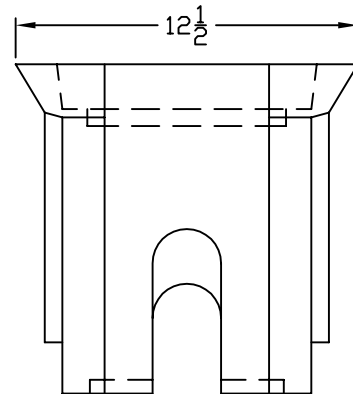
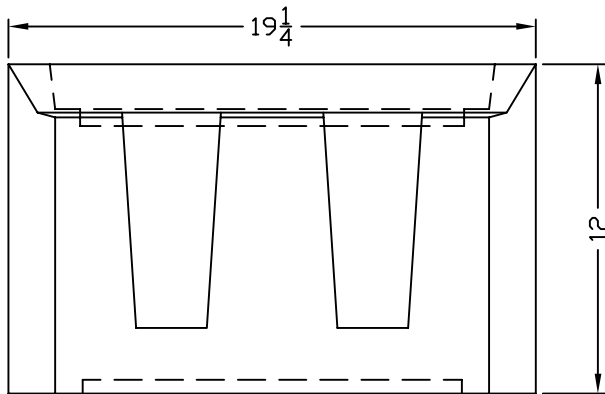


DFWA1C-1A-LID



DFWA1C-12-1A



DFWA1C-12-BODY

NOTES:

- 1) DIM'S $\pm \frac{1}{8}$ U.N.O.
- 2) SNAP LOCK POCKET WILL RECIEVE ITRON ERT. SNAP LOCK SLOT IS 1.80" $\pm .015$ TO ALLOW FOR A FINGER FORCE INSTALL POCKET HEIGHT IS $\frac{15}{16}$ FOR MIN $\frac{1}{8}$ " AIR GAP.



DFW PLASTICS, INC.
 1001 JARVIS RD
 FORT WORTH, TX. 76179
 (817) 439-3600
 (817) 439-3700 (f)
 www.dfwplasticsinc.com

DFWA1C-12-1A

FILE NAME:

DFWA1C-12-1A.DWG

UPDATED: 03/13/2010

DRAWN BY: J.C.A.

PLOT SCALE: 1:7