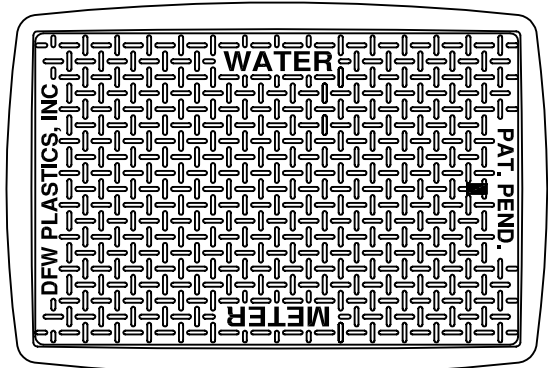
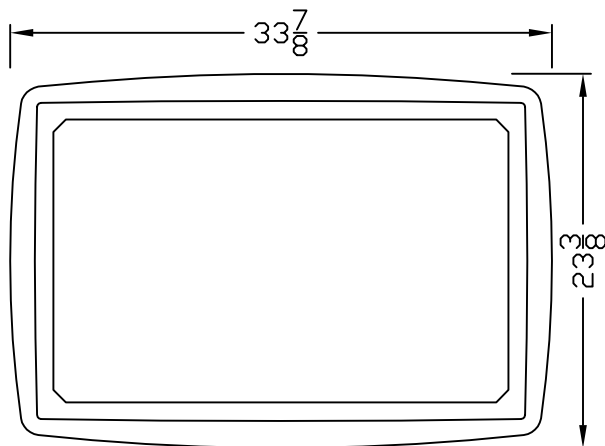
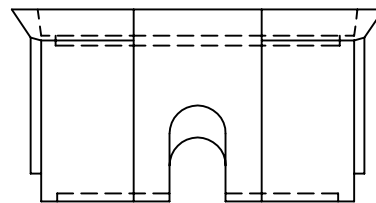
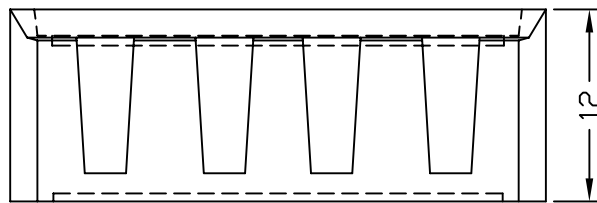


DFWA4C-1A-LID



DFWA4C-12-1A



DFWA4C-12-BODY

NOTES

- 1) DIM'S ± 1/8 U.N.O.
- 2) SNAP LOCK POCKET WILL RECEIVE I-TRON ERT. SNAP LOCK SLOT IS 1.80" ± .015" TO ALLOW FOR A FINGER FORCE INSTALL. POCKET HEIGHT IS 15/16 FOR MIN 1/8" AIR GAP.



DFW PLASTICS, INC.
 1001 JARVIS RD
 FORT WORTH, TX. 76179
 (817) 439-3600
 (817) 439-3700 (f)
 www.dfwplasticsinc.com

DFWA4C-12-1A

FILE NAME:
 * DFWA4C-12-1A.DWG

UPDATED: 03/13/2010

DRAWN BY: J.C.A.

PLOT SCALE: 1:12