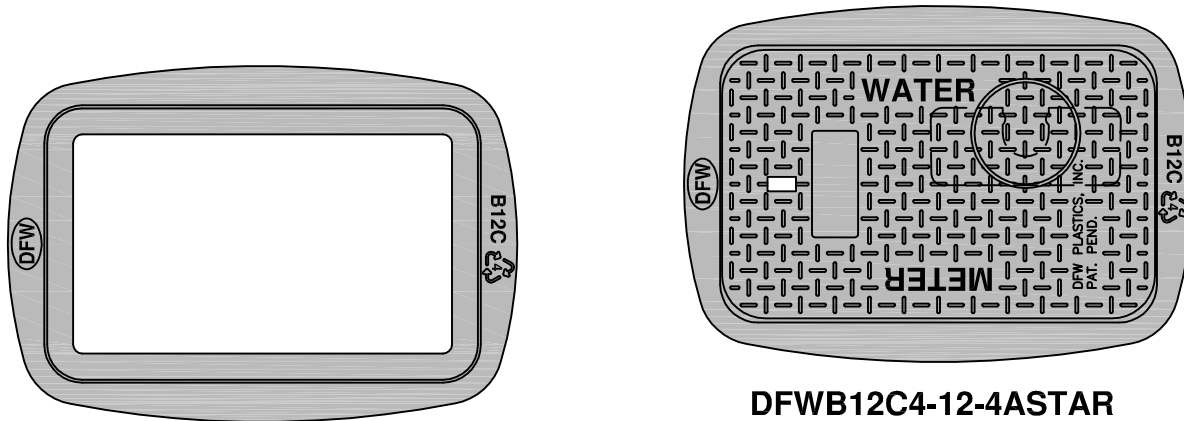
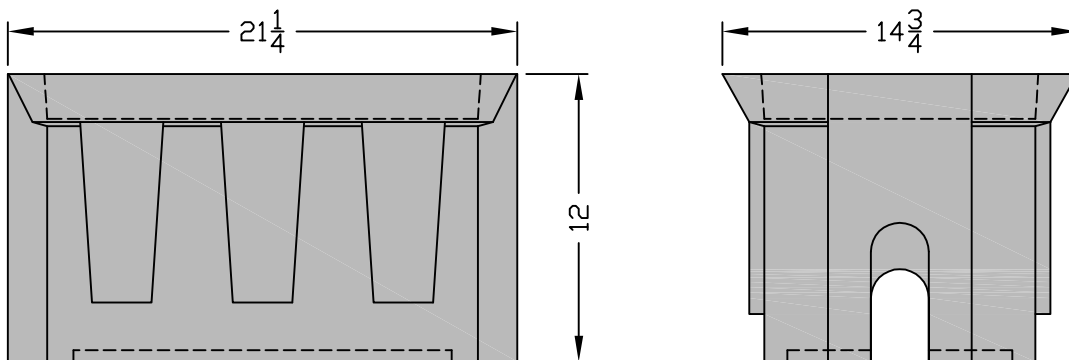


**DFWB12C-4ASTAR-LID**



**DFWB12C4-12-4ASTAR**



**DFWB12C4-12-BODY**

**NOTES**

- 1) DIM'S ± 1/8 U.N.O.
- 2) WALL THICKNESS: 3/8 ± 5%
- 3) SNAP LOCK POCKET WILL RECEIVE AMR/AMI DEVICE ERT. SNAP LOCK SLOT IS 1.80" ± .015" TO ALLOW FOR A FINGER FORCE INSTALL. POCKET HEIGHT IS 15/16 FOR MIN 1/8" AIR GAP.



DFW PLASTICS, INC.  
 1001 JARVIS RD  
 FORT WORTH, TX. 76179  
 (817) 439-3600  
 (817) 439-3700 (f)  
 www.dfwplasticsinc.com

DFWB12C4-12-4ASTAR

FILE NAME:  
 \* DFWB12C4-12-4ASTAR.DWG  
 UPDATED: 08/03/2010  
 DRAWN BY: J.C.A.  
 PLOT SCALE: 1:8