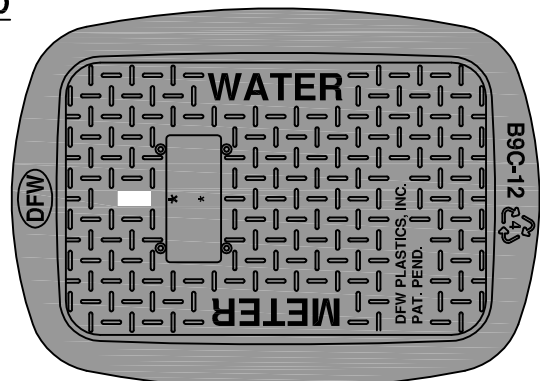
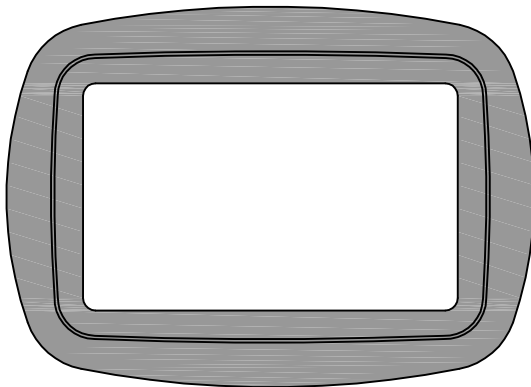
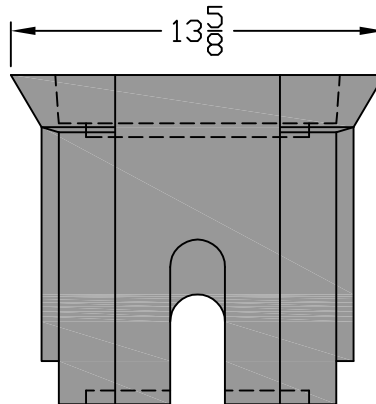
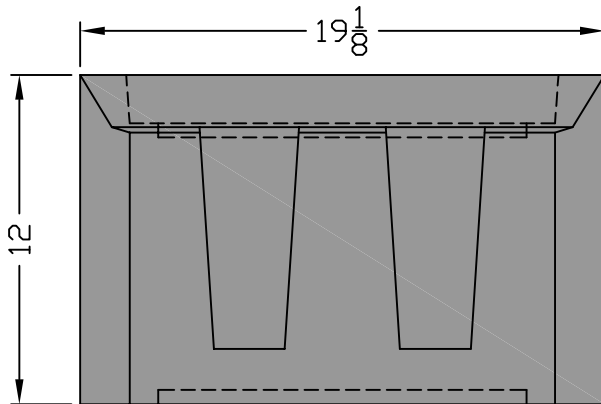


**DFWB9C-4A-LID**



**DFWB9C4-12-4A**



**DFWB9C4-12-BODY**

**NOTES**

- 1) DIM'S  $\pm 1/8$  U.N.O.
- 2) WALL THICKNESS:  $3/8 \pm 5\%$
- 3) SNAP LOCK POCKET WILL RECEIVE AMR/AMI DEVICE ERT. SNAP LOCK SLOT IS  $1.80" \pm .015"$  TO ALLOW FOR A FINGER FORCE INSTALL. POCKET HEIGHT IS  $15/16$  FOR MIN  $1/8"$  AIR GAP.



DFW PLASTICS, INC.  
 1001 JARVIS RD  
 FORT WORTH, TX. 76179  
 (817) 439-3600  
 (817) 439-3700 (f)  
 www.dfwplasticsinc.com

DFWB9C4-12-4A

FILE NAME: * DFWB9C4-12-4A.DWG
UPDATED: 08/03/2010
DRAWN BY: J.C.A.
PLOT SCALE: 1:7