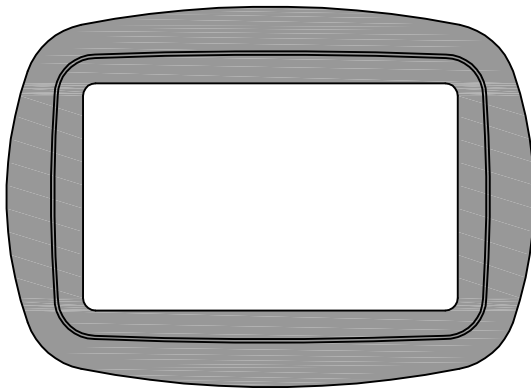
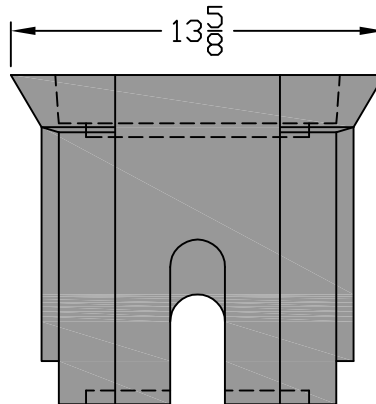
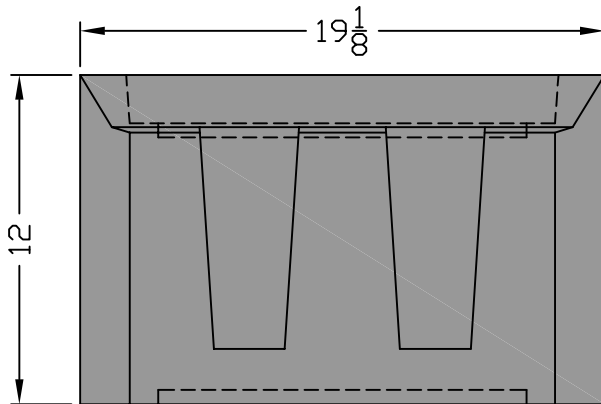
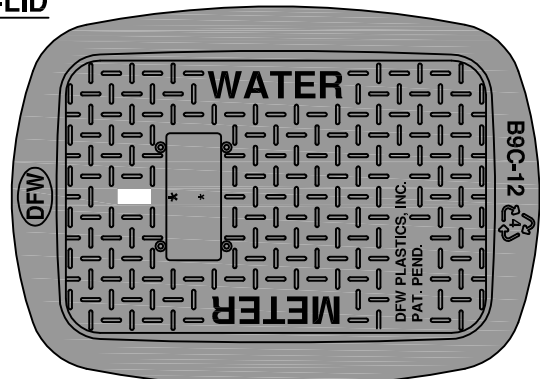


DFWB9C-4ASTAR-LID



DFWB9C4-12-4ASTAR



DFWB9C4-12-BODY

NOTES

- 1) DIM'S ± 1/8 U.N.O.
- 2) WALL THICKNESS: 3/8 ± 5%
- 3) SNAP LOCK POCKET WILL RECEIVE AMR/AMI DEVICE ERT. SNAP LOCK SLOT IS 1.80" ± .015" TO ALLOW FOR A FINGER FORCE INSTALL. POCKET HEIGHT IS 15/16 FOR MIN 1/8" AIR GAP.



DFW PLASTICS, INC.
 1001 JARVIS RD
 FORT WORTH, TX. 76179
 (817) 439-3600
 (817) 439-3700 (f)
 www.dfwplasticsinc.com

DFWB9C4-12-4ASTAR

FILE NAME:
 * DFWB9C4-12-4ASTAR.DWG
 UPDATED: 08/03/2010
 DRAWN BY: J.C.A.
 PLOT SCALE: 1:7