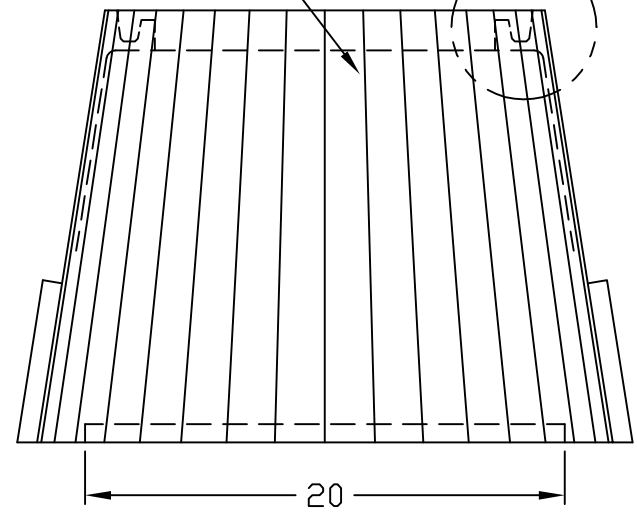
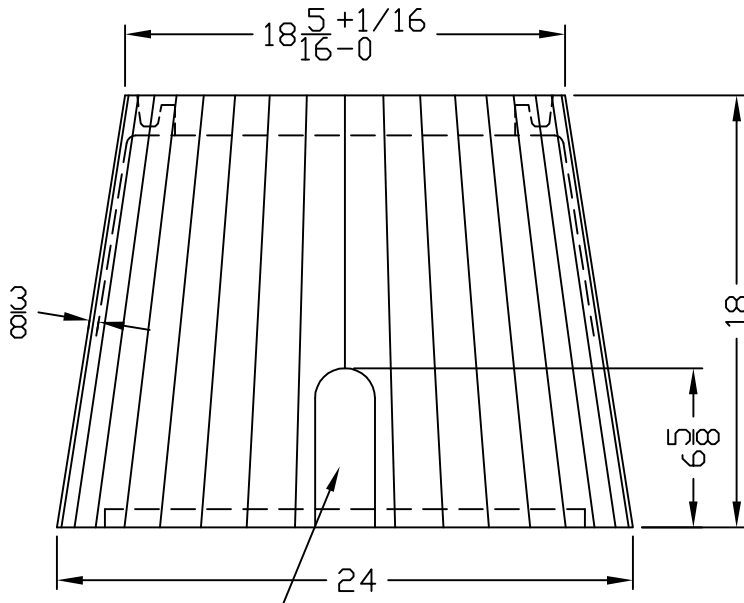


CRUSH
RESISTANT
RIBBING



CUT PIPE
SLOT IN
FIELD TO
DESIRED
DEPTH

NOTES

- 1) DIM'S $\pm 1/8$ U.N.O.
- 2) WALL THICKNESS: $3/8 \pm 5\%$



DFW PLASTICS, INC.
1001 JARVIS RD
FORT WORTH, TX. 76179
(817) 439-3600
(817) 439-3700 (f)
www.dfwplasticsinc.com

DFW-182418FTP

FILE NAME: * *
UPDATED: 10/07/2010
DRAWN BY: J.C.A.
PLOT SCALE: 1:8