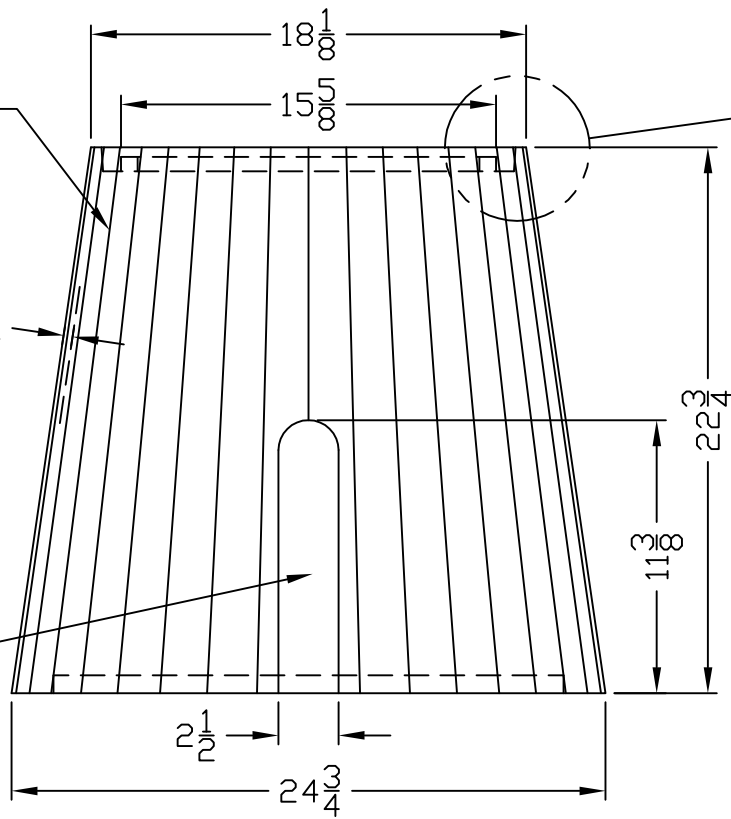


CRUSH
RESISTANT
RIBBING

WALL

CUT PIPE
SLOT IN
FIELD TO
DESIRED
DEPTH



NOTES

- 1) DIM'S $\pm 1/8$ U.N.O.
- 2) WALL THICKNESS: $3/8 \pm 5\%$



DFW PLASTICS, INC.
1001 JARVIS RD
FORT WORTH, TX. 76179
(817) 439-3600
(817) 439-3700 (f)
www.dfwplasticsinc.com

DFW-182424FTP

FILE NAME:

*
*

UPDATED: 08/15/2010

DRAWN BY: J.C.A.

PLOT SCALE: 1:8