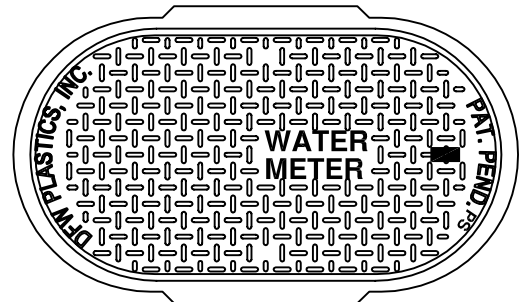
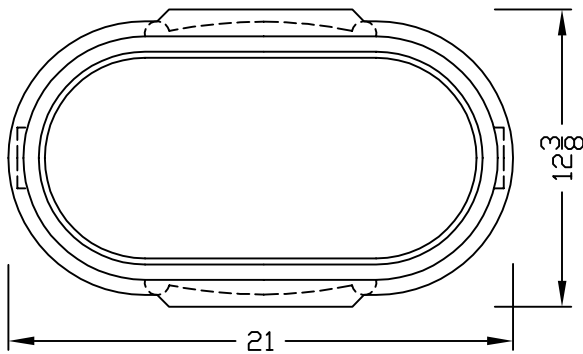
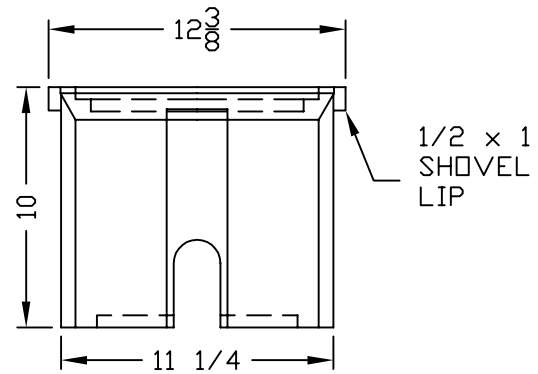
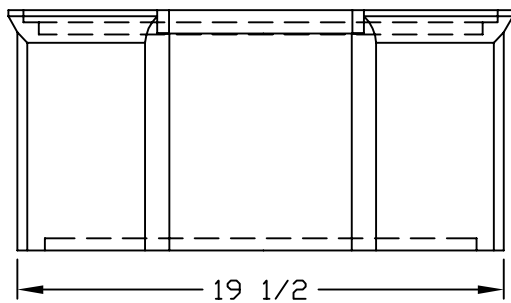


**DFW1219-1A-LID**



**DFW1219-10-1A**



**DFW1219-10-BODY**

**NOTES**

- 1) DIM'S ± 1/8 U.N.O.
- 2) SNAP LOCK POCKET WILL RECEIVE I-TRON ERT. SNAP LOCK SLOT IS 1.80" ± .015" TO ALLOW FOR A FINGER FORCE INSTALL. POCKET HEIGHT IS 15/16 FOR MIN 1/8" AIR GAP.



DFW PLASTICS, INC.  
1001 JARVIS RD  
FORT WORTH, TX. 76179  
(817) 439-3600  
(817) 439-3700 (f)  
www.dfwplasticsinc.com

DFW1219-10-1A

FILE NAME:  
\* DFW1219-10-1A.DWG  
UPDATED: 03/06/2010  
DRAWN BY: J.C.A.  
PLOT SCALE: 1:8