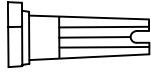
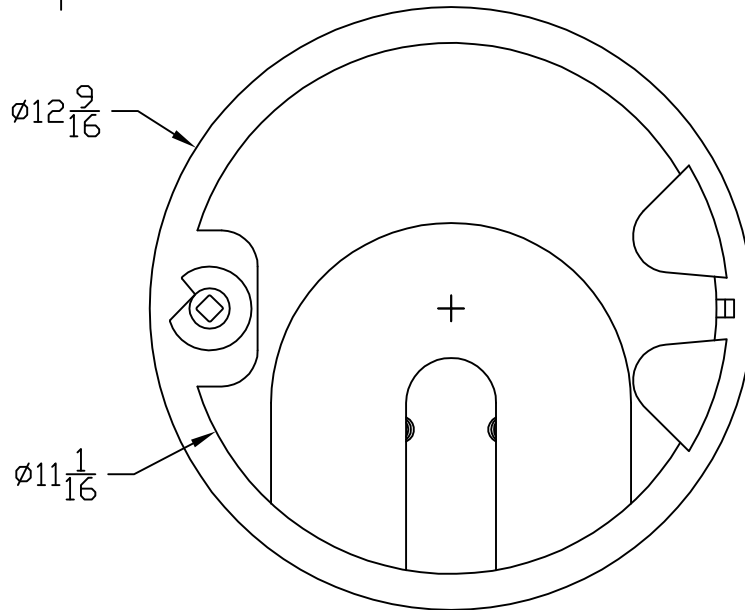
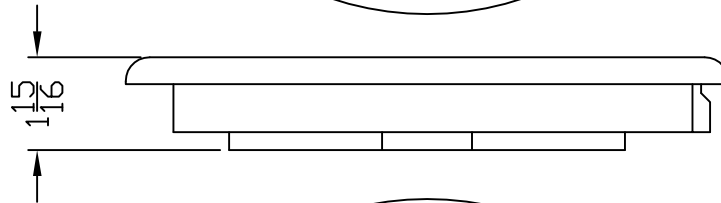
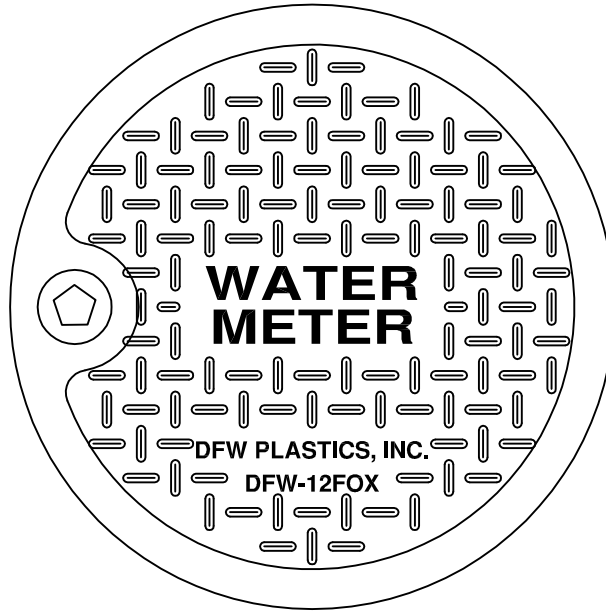


WORM GEAR



DFW PIN - STANDARD HEAD

ROUND TAPERED PIN
W/ (4) FLAT SIDES
EA FLAT HAS A CTR SPINE



NOTES

- 1) DIM'S $\pm 1/8$ U.N.O.
- 2) SNAP LOCK POCKET WILL RECEIVE AMR/AMI DEVICE ERT. SNAP LOCK SLOT IS $1.80'' \pm .015''$ TO ALLOW FOR A FINGER FORCE INSTALL. POCKET HEIGHT IS $15/16$ FOR MIN $1/8''$ AIR GAP.



DFW PLASTICS, INC.
1001 JARVIS RD
FORT WORTH, TX. 76179
(817) 439-3600
(817) 439-3700 (f)
www.dfwplasticsinc.com

DFW12AFOX-1WA-LID

FILE NAME:

*
*

UPDATED: 08/22/2010

DRAWN BY: J.C.A.

PLOT SCALE: 1:4