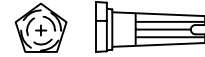


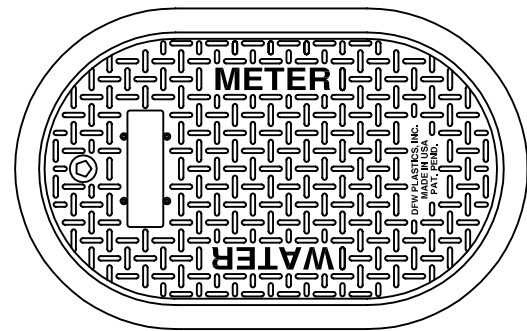
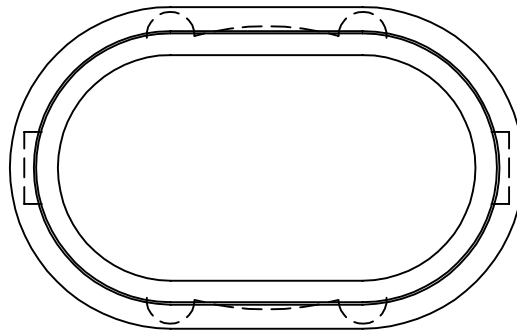
WORM GEAR



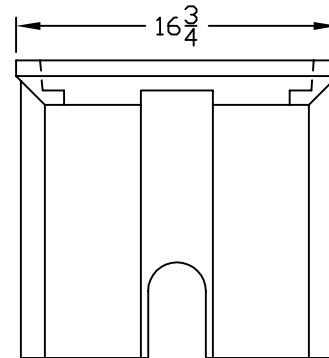
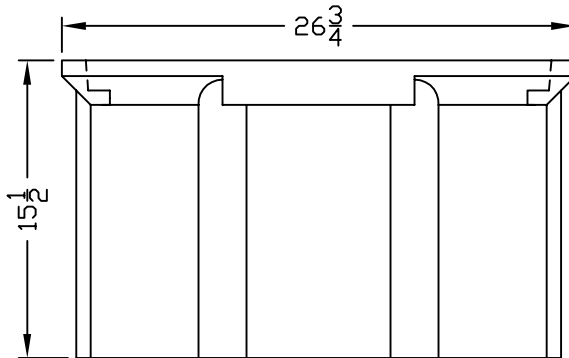
DFW PIN - STANDARD HEAD

ROUND TAPERED PIN
W/ (4) FLAT SIDES
EA FLAT HAS A CTR SPINE

DFW1424-1WA-LID



DFW1424-15-1WA



DFW1424-15-BODY

NOTES

- 1) DIM'S $\pm \frac{1}{8}$ " U.N.O.
- 2) SNAP LOCK POCKET WILL RECEIVE ITRON "50W" ERT.
- 3) POCKET INCLUDES HOLE TO RECEIVE ITRON "60W" ERT.



DFW PLASTICS, INC.
1001 JARVIS RD
FORT WORTH, TX. 76179
(817) 439-3600
(817) 439-3700 (f)
www.dfwplasticsinc.com

DFW1424-15-1WA

FILE NAME:
* DFW1424-15-1WA.DWG
UPDATED: 03/18/2010
DRAWN BY: J.C.A.
PLOT SCALE: 1:10