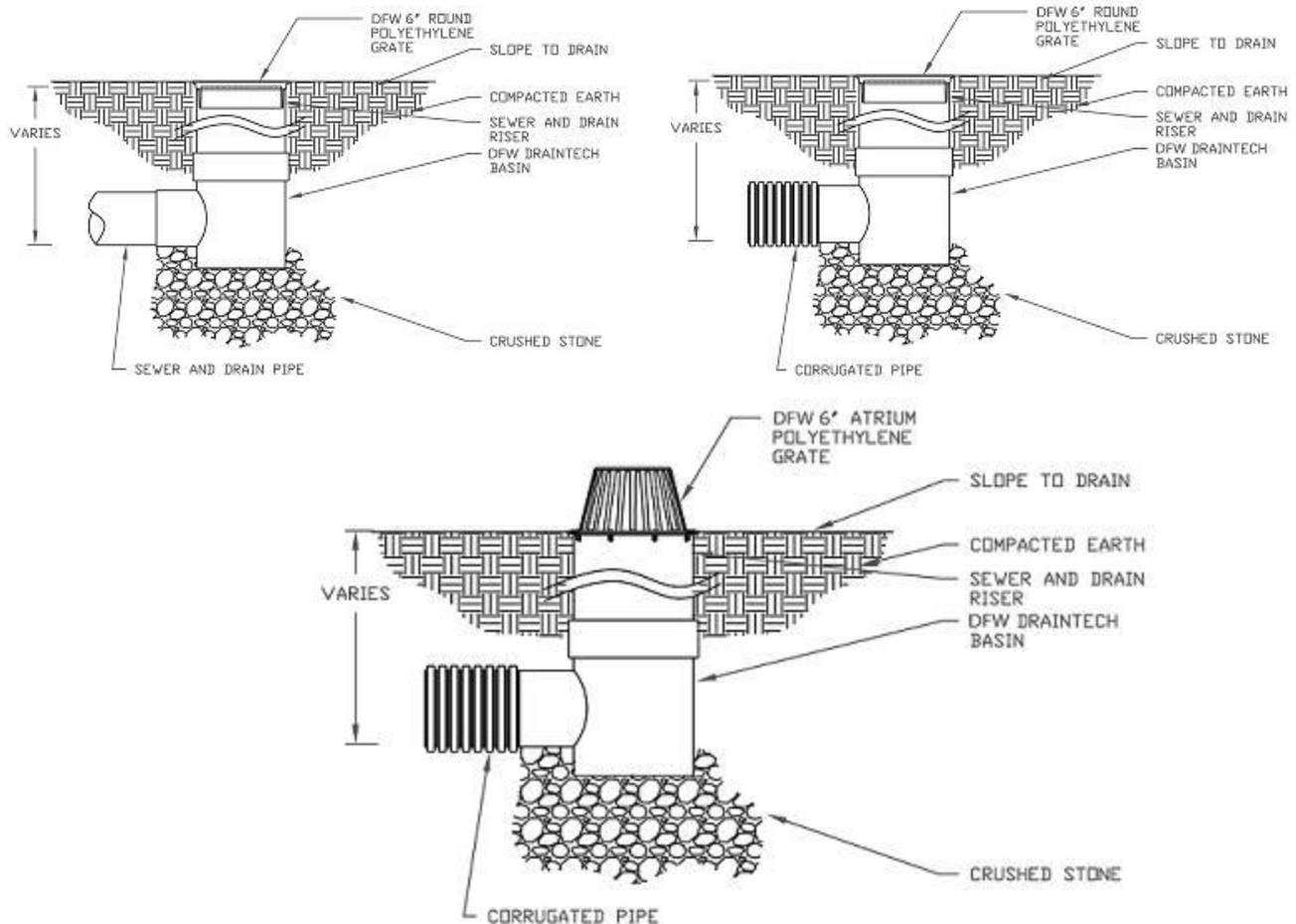




Drainage Round Catch Basin Kit Installation Guide

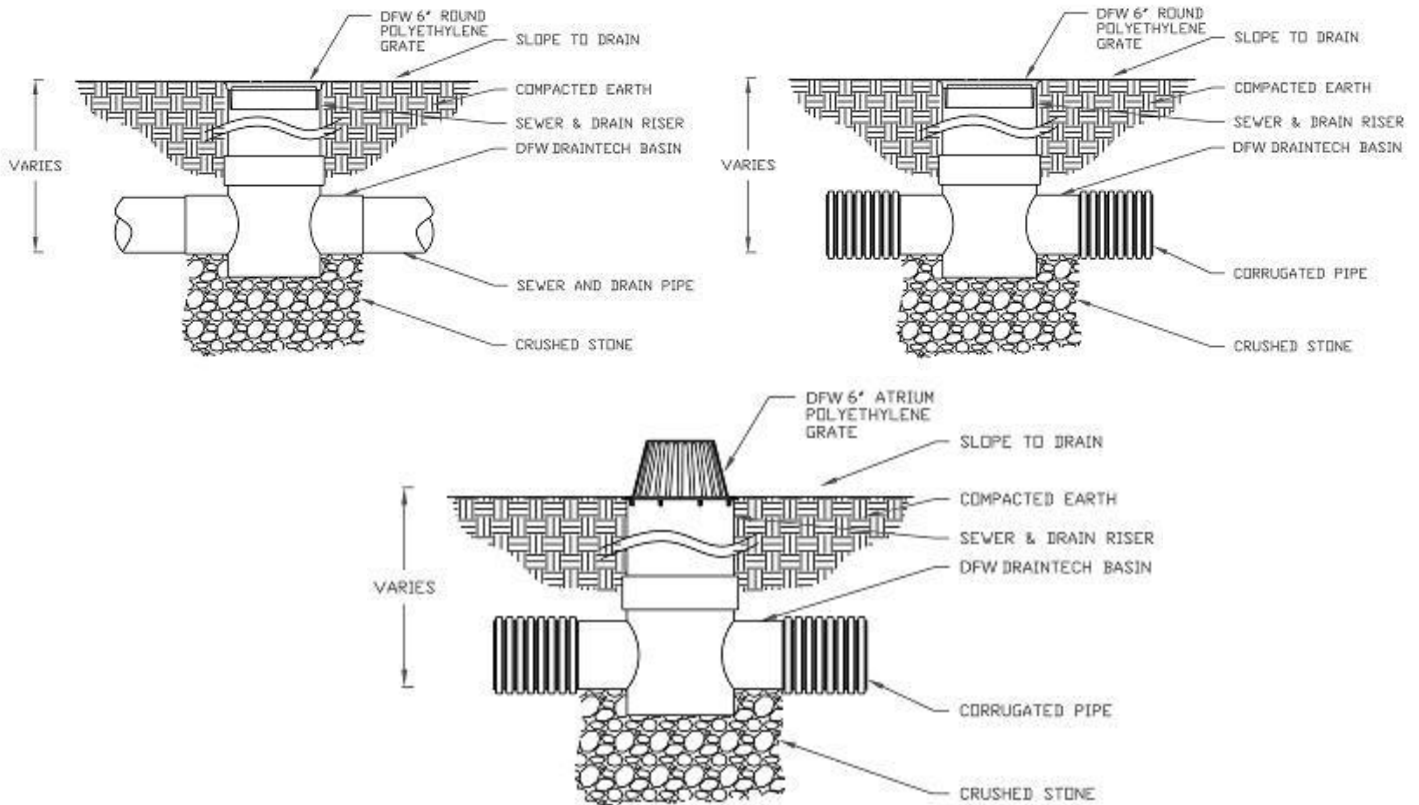
- 1.) After determining the drainage plan for your installation, dig a hole big enough to hold the basin.
- 2.) Prepare the hole that the basin is going to sit in. It is best to place crushed stone in the bottom of the hole for the basin to sit upon.
- 3.) The installed basin and grate should be recessed about 1/8" below the finished grade. The grate should be installed and cover with tape prior to backfilling. This will help prevent any debris from entering the area.
- 4.) After placing the basin, begin working from the discharge point back to the grate; excavate the base of the trench with a 1 1/4" slope for every 10 feet to ensure drain pipe slopes to the discharge point.
- 5.) Connect the drainage pipe to the adapters molded to the side of the basin. Backfill trench and the area around the basin.

Installation of Single Hole Basin



DFW

Installation of Multi Hole Basin



Parts included in Kit

6" Basin Kit – 1 Outlet #KB6R1BG – Green Grate #KB6R1BB – Black Grate	6" Basin Kit – 2 Outlets #KB6R2BG – Green Grate #KB6R2BB – Black Grate
#B6R1B – 6" Round Basin with 1 outlets	#B6R2B – 6" Round Basin with 2 outlets
#G6R? – 6" Round Grate - ? = Color	#G6R? – 6" Round Grate - ? = Color

Grate Load Testing

Testing Conditions:

- 1.) Grates are installed in the proper basin or pipe.
- 2.) Grates are level and flat.
- 3.) Loads are constant and evenly distributed.
- 4.) All Grates were tested in an unrestrained condition.

Grate Load Rating Chart

Part No.	Description	Load Rating
G6R	6" Round Grate	600 lbs
G6S	6" Square Grate	1000 lbs
G6A	6" Atrium Grate	No Load
G7S	7" Square Grate	850 lbs
G8S	8" Square Grate	1000 lbs
G9S	9" Square Grate	2000 lbs