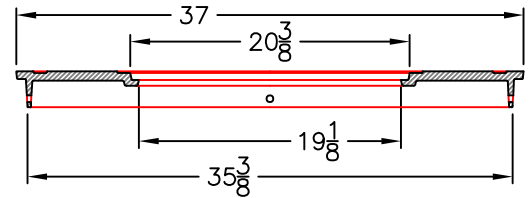
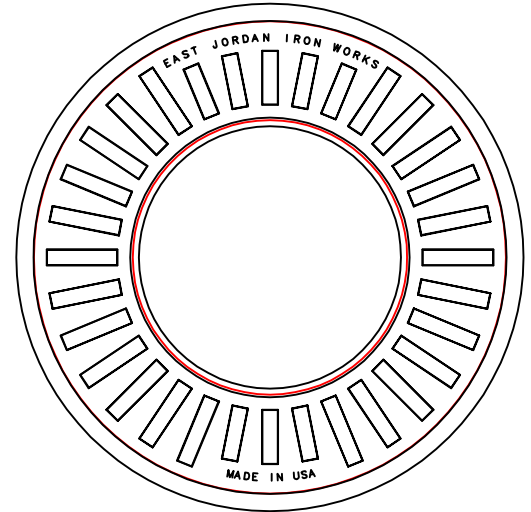
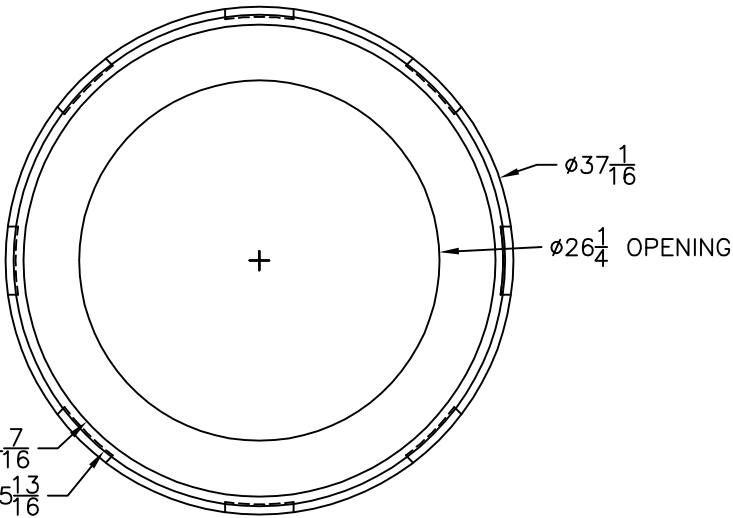
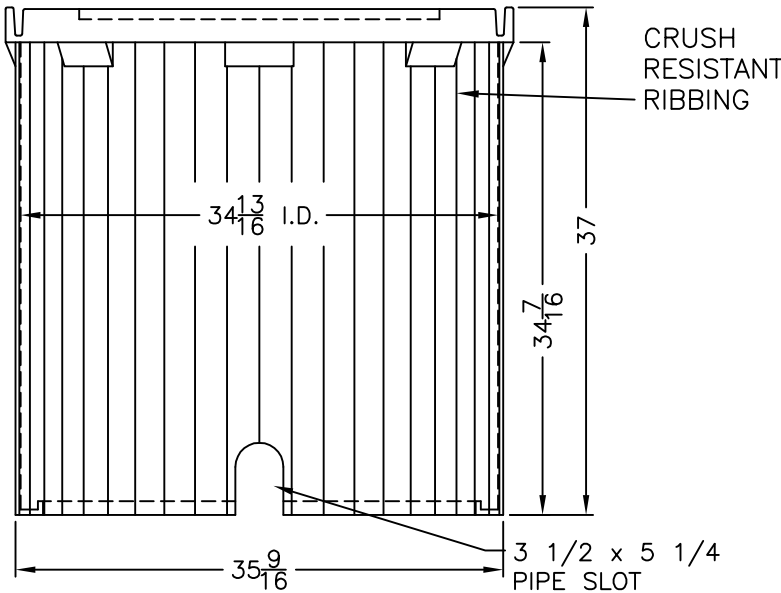


**DFW-3636F-DR**

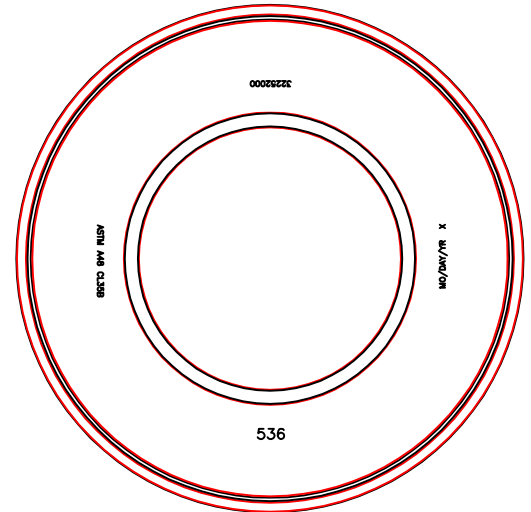
BODY KEY	
F	FLAT TOP - STD WALL 3/8"
DR	DOMESTIC CAST IRON RING



**RING SECTION**



**DFW-3636F**



**EJ No. 32252000**

**NOTES**

- 1) DIM'S ± 1/8 U.N.O.
- 2) WALL THICKNESS: 3/8 ± 5%

DFW PLASTICS, INC. ENGAGES IN ONGOING RESEARCH AND DEVELOPMENT TO IMPROVE AND ENHANCE ITS PRODUCTS. THEREFORE, DFW PLASTICS, INC RESERVES THE RIGHT TO CHANGE PRODUCT OR SYSTEM SPECIFICATIONS WITHOUT NOTICE.



DFW PLASTICS, INC.  
 1001 JARVIS RD  
 FORT WORTH, TX. 76179  
 (817) 439-3600  
 (817) 439-3700 (f)  
 www.dfwplasticsinc.com

DFW-3636F-DR

FILE NAME:

\*  
\*

UPDATED: 03/01/2012

DRAWN BY: J.C.A.

PLOT SCALE: 1:14