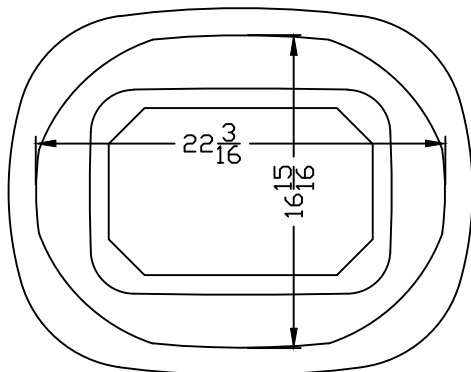
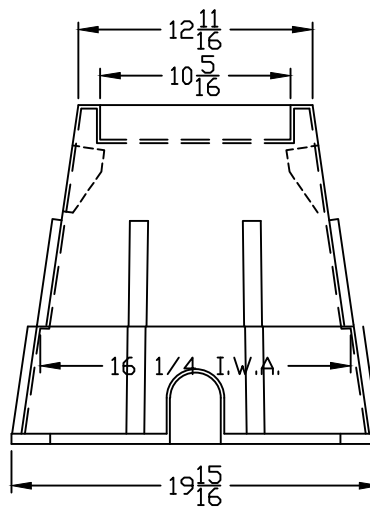
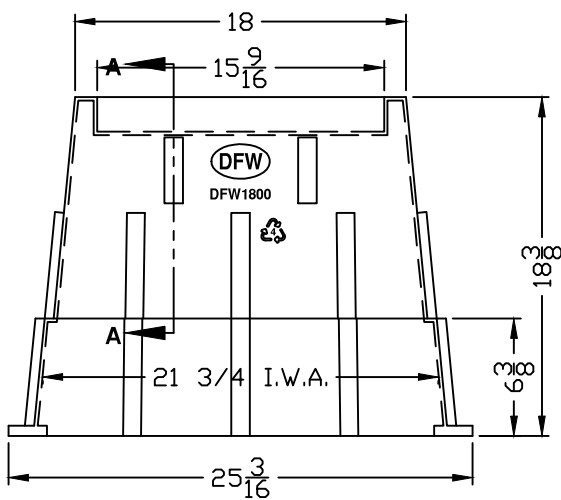


**SECTION A-A**



**NOTES**

- 1) DIM'S ± 1/8" U.N.O.
- 2) BODY MATERIAL: LLDPE
- 3) I.W.A. = INSIDE WORK AREA
- 4) WALL THICKNESS: 1/2" MINIMUM

DFW PLASTICS, INC. ENGAGES IN ONGOING RESEARCH AND DEVELOPMENT TO IMPROVE AND ENHANCE ITS PRODUCTS. THEREFORE, DFW PLASTICS, INC. RESERVES THE RIGHT TO CHANGE PRODUCT OR SYSTEM SPECIFICATIONS WITHOUT NOTICE.



DFW PLASTICS, INC.  
 PO BOX 648  
 BEDFORD, TEXAS 76095  
 (817) 439-3600  
 (817) 439-3700 (f)  
 www.dfwplasticsinc.com

DFW1800FH-18-BODY

CREATED: 12/16/2016

UPDATED: 12/16/2016

ACCEPTED: JMc

DRAWN BY: RMc

PLOT SCALE: 1:10