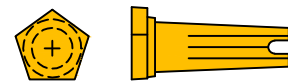
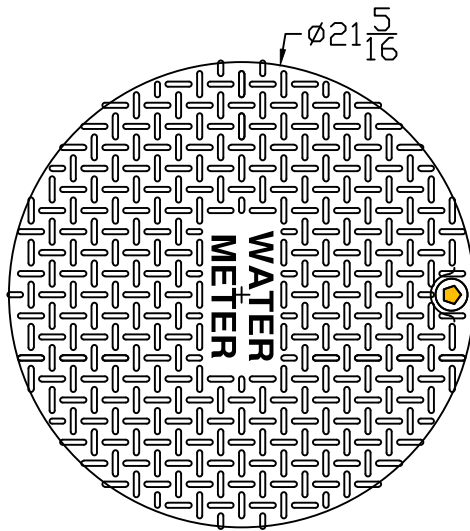
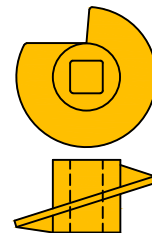
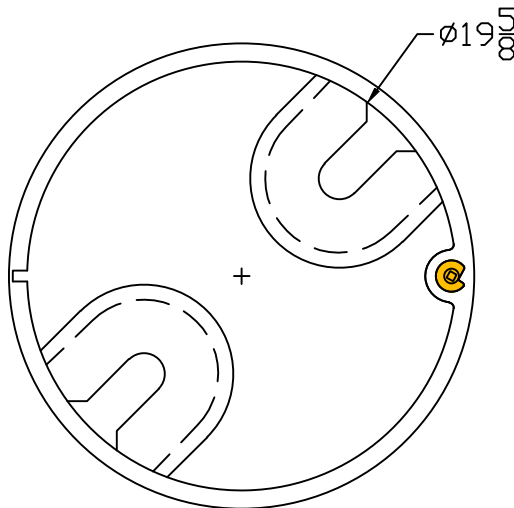
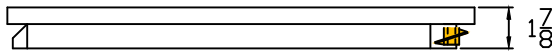


LID KEY	
1	BLACK COLOR
W	WORM LOCK w/ STD BRASS STEM
A	DUAL (2) AMR SLIDE MOUNTS



DFW-STEM - STANDARD HEAD
 ROUND TAPERED PIN
 W/ (4) FLAT SIDES, EACH
 FLAT HAS A CENTER SPINE



DFW-WORMGEAR

NOTES

- 1) DIM'S $\pm 1/8$ " U.N.O.
- 2) LID MATERIAL: HDPE
- 3) SNAP LOCK POCKET WILL RECEIVE AMR/AMI DEVICE ENDPOINT. SNAP LOCK SLOT IS $1.80 \pm .015$ " TO ALLOW FOR A FINGER FORCE INSTALL. POCKET HEIGHT IS $15/16$ " FOR MIN $1/8$ " AIR GAP.

DFW PLASTICS, INC. ENGAGES IN ONGOING RESEARCH AND DEVELOPMENT TO IMPROVE AND ENHANCE ITS PRODUCTS. THEREFORE, DFW PLASTICS, INC. RESERVES THE RIGHT TO CHANGE PRODUCT OR SYSTEM SPECIFICATIONS WITHOUT NOTICE.



DFW PLASTICS, INC.
 PO BOX 648
 BEDFORD, TEXAS 76095
 (817) 439-3600
 (817) 439-3700 (f)
 www.dfwplasticsinc.com

DFW20AXF-1WA-LID

CREATED: 10/04/2015

UPDATED: 10/04/2015

ACCEPTED: JMc

DRAWN BY: RMc

PLOT SCALE: 1:4